

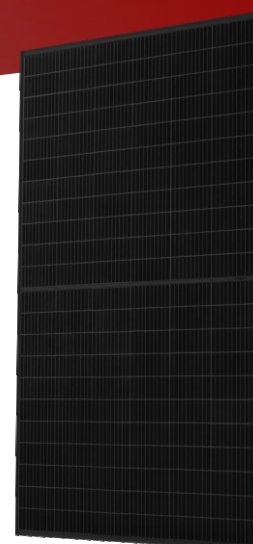
LUXNERI® SERIES 5

475-495W Mono ALL BLACK

M10/182mm Cell . 132 Half-Cell Layout



Assembled with the breakthrough M10 (182mm) high power cells, LUXNERI® Series 5 ALL BLACK solar modules combine the impressive aesthetic appearance with the innovative technologies of gallium-doped wafer, half-cut cell, multi busbars and integrated segmented ribbon interconnection. The perfect visual effect, together with the high power generation performance and the reduced LID, hot spot and shading risks, make it ideal for residential rooftop application.



Full Black Appearance for Aesthetic Effect



Gallium-doped Technology



Half Cut Cell Technology



Anti-PID Low LID Performance

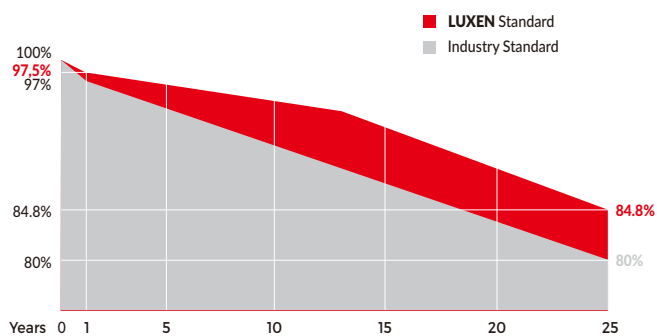


Less Hot Spot Shading Effects



Ideal for Residential Rooftop Application

Linear performance Warranty



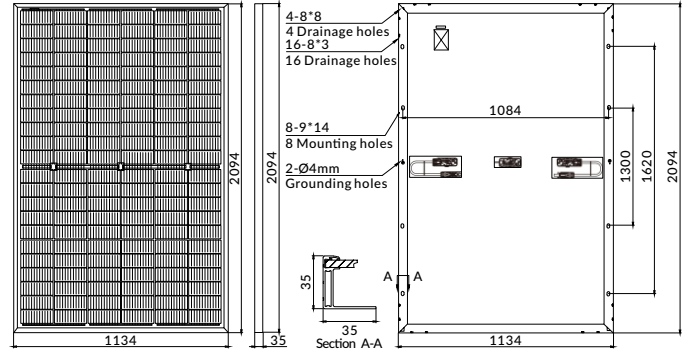
Comprehensive Certificates

- ISO9001:2015 QMS
- ISO14001:2015 EMS
- ISO45001:2018 OHSMS
- IEC61215/IEC61730 Standard quality



MECHANICAL CHARACTERISTICS

Solar Cells	Mono
No. of Cells	132 (6x22)
Dimensions	2094 x 1134 x 35mm
Weight	26.0kgs
Front Glass	3.2mm tempered glass
Frame	Anodized aluminium alloy
Junction Box	Ip68 rated (3 by pass diodes)
	4.0mm ²
Output Cables	300mm (+) / 400mm (-)
	Length can be customized
Connectors	Mc4 compatible
Mechanical load test	5400Pa



ELECTRICAL PARAMETERS

POWER CLASS	LNVT-475M		LNVT-480M		LNVT-485M		LNVT-490M		LNVT-495M	
	STC	NOCT	STC	NOCT	STC	NOCT	STC	NOCT	STC	NOCT
Maximum power (Pmax)	475W	357W	480W	361W	485W	365W	490W	369W	495W	373W
Open Circuit Voltage (Voc)	48.02V	44.41V	48.18V	44.67V	48.34V	44.93V	48.51V	45.18V	48.67V	45.44V
Short Circuit Current (Isc)	12.85A	10.47A	12.92A	10.51A	12.99A	10.55A	13.06A	10.59A	13.13A	10.63A
Voltage at Maximum power (Vmpp)	39.72V	36.24V	39.90V	36.50V	40.08V	36.76V	40.26V	37.01V	40.44V	37.26V
Current Maximum Power (Impp)	11.96A	9.85A	12.03A	9.89A	12.10A	9.93A	12.17A	9.97A	12.24A	10.01A
MODULE EFFICIENCY (%)	20.00%		20.21%		20.42%		20.64%		20.85%	

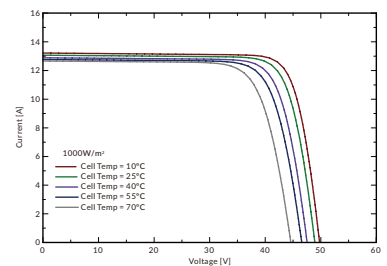
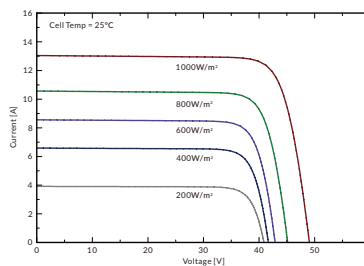
STC: Irradiance 1000W/m², cell temperature 25°C, AM1.5G NOCT: Irradiance 800W/m², ambient temperature 20°C, wind speed 1m/s, AM1.5G

PACKING CONFIGURATION

Container	20'GP	40'HQ
Pieces per pallet	31	31
Pallets per container	5	22
Pieces per container	155	682

I-V CURVE

LNVT-490M/I-V



OPERATING CHARACTERISTICS

Operating Module Temperature	-40°C to + 85°C
Maximum System Voltage	1500 DC (IEC)
Maximum Series Fuse Rating	25A
Power Tolerance	0/+5W

TEMPERATURE CHARACTERISTICS

Nominal Operating Temperature (Noct)	45±2°C
Temperature Coefficient of Pmax	-0.36%/°C
Temperature Coefficient of Voc	-0.28%/°C
Temperature Coefficient of Isc	+0.05%/°C

Note: Due to continuous technical innovation, R&D and improvement, technical data above mentioned may be of modification accordingly. LUXEN SOLAR have the sole right to make such modification at anytime without further notice.