

LUXNERI® SERIES 5

520-540W Mono ALL BLACK

M10/182mm Cell . 144 Half-Cell Layout



Assembled with the breakthrough M10 (182mm) high power cells, LUXNERI® Series 5 ALL BLACK solar modules combine the impressive aesthetic appearance with the innovative technologies of gallium-doped wafer, half-cut cell, multi busbars and integrated segmented ribbon interconnection. The perfect visual effect, together with the high power generation performance and the reduced LID, hot spot and shading risks, make it ideal for residential rooftop application.



Full Black Appearance for Aesthetic Effect



Gallium-doped Technology



Half Cut Cell Technology



Anti-PID Low LID Performance

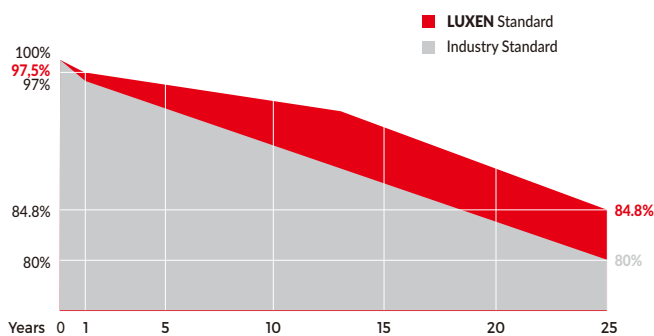


Less Hot Spot Shading Effects



Ideal for Residential Rooftop Application

Linear performance Warranty



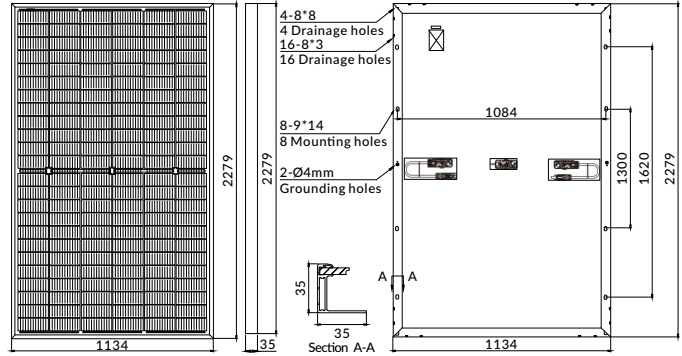
Comprehensive Certificates

- ISO9001:2015 QMS
- ISO14001:2015 EMS
- ISO45001:2018 OHSMS
- IEC61215/IEC61730 Standard quality



MECHANICAL CHARACTERISTICS

Solar Cells	Mono
No. of Cells	144 (6x24)
Dimensions	2279 x 1134 x 35mm
Weight	28.5kgs
Front Glass	3.2mm tempered glass
Frame	Anodized aluminium alloy
Junction Box	Ip68 rated (3 by pass diodes)
	4.0mm ²
Output Cables	300mm (+) / 400mm (-)
	Length can be customized
Connectors	Mc4 compatible
Mechanical load test	5400Pa



ELECTRICAL PARAMETERS

POWER CLASS	LNVU-520M		LNVU-525M		LNVU-530M		LNVU-535M		LNVU-540M	
	STC	NOCT	STC	NOCT	STC	NOCT	STC	NOCT	STC	NOCT
Maximum power (Pmax)	520W	393W	525W	397W	530W	401W	535W	405W	540W	409W
Open Circuit Voltage (Voc)	49.44V	46.68V	49.59V	46.92V	49.74V	47.16V	49.89V	47.40V	50.04V	47.63V
Short Circuit Current (Isc)	13.48A	10.83A	13.55A	10.87A	13.62A	10.91A	13.69A	10.95A	13.76A	10.99A
Voltage at Maximum power (Vmpp)	41.30V	38.49V	41.47V	38.73V	41.63V	38.97V	41.80V	39.21V	41.96V	39.44V
Current Maximum Power (Impp)	12.59A	10.21A	12.66A	10.25A	12.73A	10.29A	12.80A	10.33A	12.87A	10.37A
MODULE EFFICIENCY (%)	20.12%		20.31%		20.51%		20.70%		20.89%	

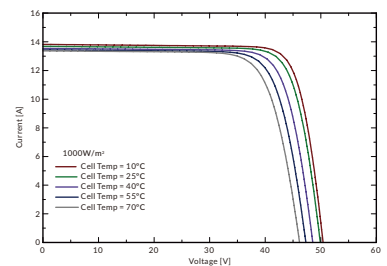
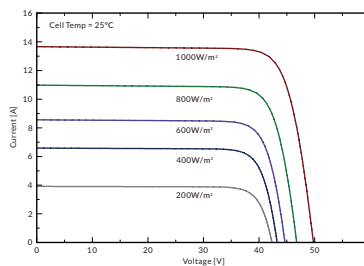
STC: Irradiance 1000W/m², cell temperature 25°C, AM1.5G NOCT: Irradiance 800W/m², ambient temperature 20°C, wind speed 1m/s, AM1.5G

PACKING CONFIGURATION

Container	20'GP	40'HQ
Pieces per pallet	31	31
Pallets per container	5	20
Pieces per container	155	620

I-V CURVE

LNVU-535M/I-V



OPERATING CHARACTERISTICS

Operating Module Temperature	-40°C to +85°C
Maximum System Voltage	1500 DC (IEC)
Maximum Series Fuse Rating	25A
Power Tolerance	0/+5W

TEMPERATURE CHARACTERISTICS

Nominal Operating Temperature (Noct)	45±2°C
Temperature Coefficient of Pmax	-0.36%/°C
Temperature Coefficient of Voc	-0.28%/°C
Temperature Coefficient of Isc	+0.05%/°C

Note: Due to continuous technical innovation, R&D and improvement, technical data above mentioned may be of modification accordingly. LUXEN SOLAR have the sole right to make such modification at anytime without further notice.