

# LUXPOWER® SERIES 5 570-590W Mono

M10/182mm Cell . 156 Half-Cell Layout

LUXPOWER® Series 5 solar modules stand out with the breakthrough innovation of M10 size (182mm) solar cells for the highest power generation and the lowest LCOE, which makes Series 5 the optimal choice for large solar power plants. The gallium-doped wafer technology empowers significantly the performance against LID and the latest integrated segmented ribbon technology increases the power output and enhances the module reliability for long-term use.



Gallium-doped Technology



Half Cut Cell Technology



MBB Technology



Anti-PID  
Low LID  
Performance

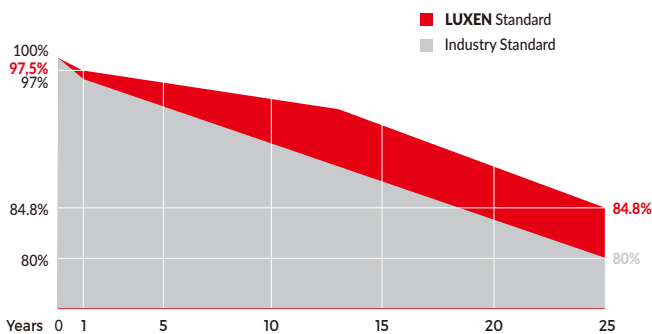


Less Hot Spot  
Shading Effects



Lower BOS & LCOE

## Linear performance Warranty



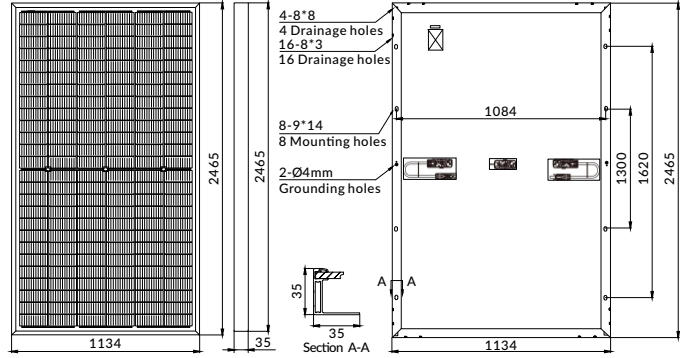
## Comprehensive Certificates

- ISO9001:2015 QMS
- ISO14001:2015 EMS
- ISO45001:2018 OHSMS
- IEC61215/IEC61730 Standard quality



**MECHANICAL CHARACTERISTICS**

Solar Cells	Mono
No. of Cells	156 (6x26)
Dimensions	2465 x 1134 x 35mm
Weight	30.5kgs
Front Glass	3.2mm tempered glass
Frame	Anodized aluminium alloy
Junction Box	Ip68 rated (3 by pass diodes)
	4.0mm <sup>2</sup>
Output Cables	300mm (+) / 400mm (-)
	Length can be customized
Connectors	Mc4 compatible
Mechanical load test	5400Pa



**ELECTRICAL PARAMETERS**

POWER CLASS	LNVH-570M		LNVH-575M		LNVH-580M		LNVH-585M		LNVH-590M	
	STC	NOCT	STC	NOCT	STC	NOCT	STC	NOCT	STC	NOCT
Maximum power (Pmax)	570W	433W	575W	437W	580W	441W	585W	445W	590W	449W
Open Circuit Voltage (Voc)	50.88V	49.02V	51.02V	49.25V	51.15V	49.47V	51.29V	49.69V	51.42V	49.91V
Short Circuit Current (Isc)	14.18A	11.23A	14.25A	11.27A	14.32A	11.31A	14.39A	11.35A	14.46A	11.39A
Voltage at Maximum power (Vmpp)	42.89V	40.81V	43.04V	41.03V	43.19V	41.25V	43.33V	41.47V	43.48V	41.69V
Current Maximum Power (Impp)	13.29A	10.61A	13.36A	10.65A	13.43A	10.69A	13.50A	10.73A	13.57A	10.77A
MODULE EFFICIENCY (%)	20.39%		20.57%		20.75%		20.93%		21.11%	

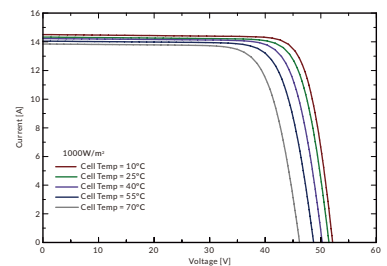
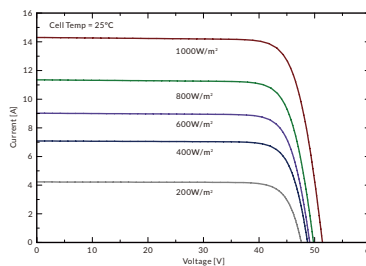
STC: Irradiance 1000W/m<sup>2</sup>, cell temperature 25°C, AM1.5G      NOCT: Irradiance 800W/m<sup>2</sup>, ambient temperature 20°C, wind speed 1m/s, AM1.5G

**PACKING CONFIGURATION**

Container	20'GP	40'HQ
Pieces per pallet	31	31
Pallets per container	4	18
Pieces per container	124	558

**I-V CURVE**

**LNVH-585M/I-V**



**OPERATING CHARACTERISTICS**

Operating Module Temperature	-40°C to + 85°C
Maximum System Voltage	1500 DC (IEC)
Maximum Series Fuse Rating	25A
Power Tolerance	0/+5W

**TEMPERATURE CHARACTERISTICS**

Nominal Operating Temperature (Noct)	45±2°C
Temperature Coefficient of Pmax	-0.36%/°C
Temperature Coefficient of Voc	-0.28%/°C
Temperature Coefficient of Isc	+0.05%/°C

**Note:** Due to continuous technical innovation, R&D and improvement, technical data above mentioned may be of modification accordingly. LUXEN SOLAR have the sole right to make such modification at anytime without further notice.